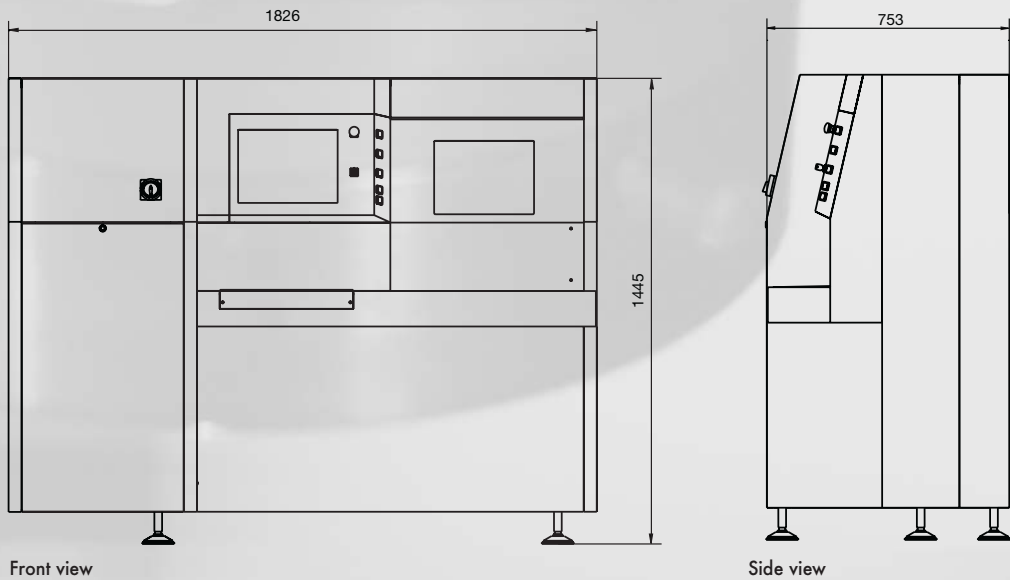


CombiLine Flexible

Laser workstations
for economical use



WE
THINK
LASER



Technical Data

Configuration

CombiLine Flexible WT

Focus setting:	step motor controlled Z-axis, travel 285 mm
Horizontal linear table (option):	step motor controlled, travel up to 300 mm
Circumferential indexer:	Ø 100 mm
Option:	customer-specific workpiece carriers

CombiLine Flexible RT

Focus setting:	step motor controlled Z-axis, travel 285 mm rotary table Ø 500 mm, pneumatic operation (no external compressed air required) or electrically driven max. workpiece height 150 mm incl. carrier
Option:	customer-specific workpiece carriers

CombiLine Flexible EC

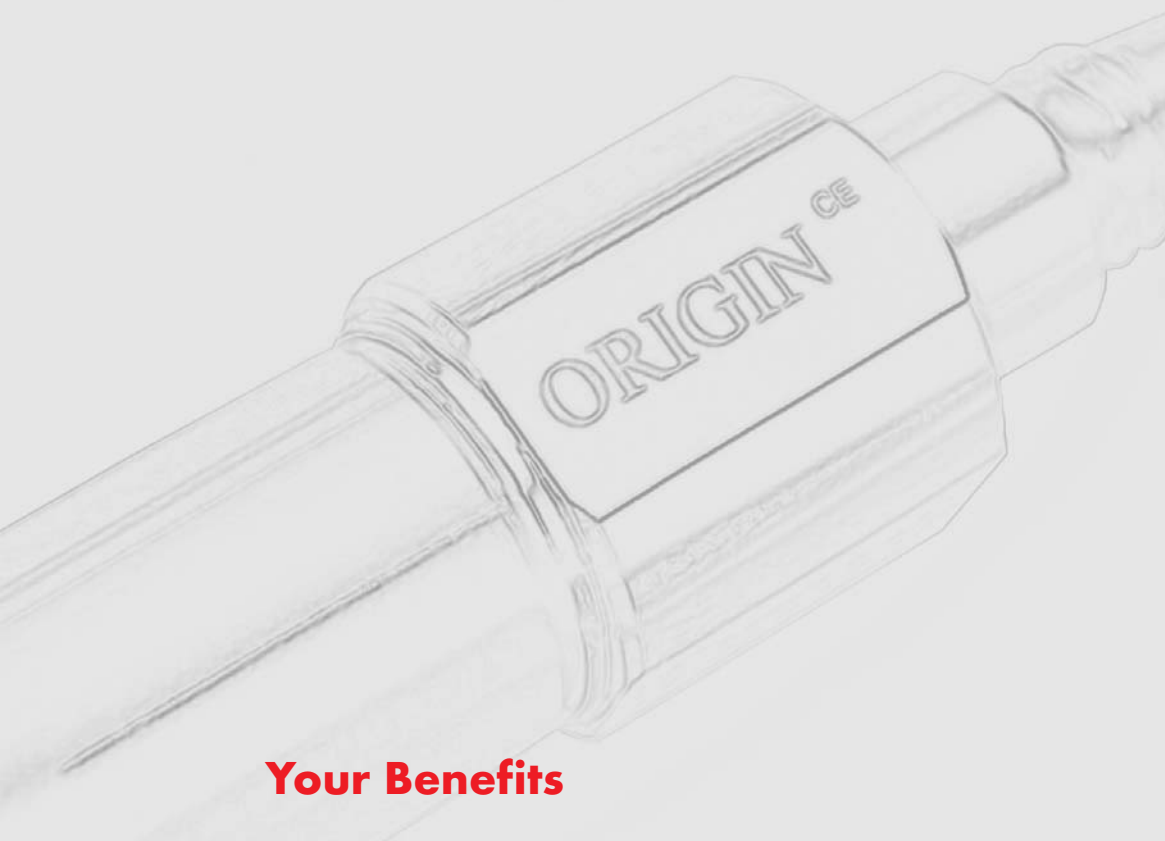
Options:	fixed laser scissors table customer-specific workpiece carriers
----------	---

Connection data

Electric connection:	depending on the laser type 230 V ($\pm 10\%$) 16 A one phase or 400 V, 32 A three phases
Cooling:	integrated cooling for diode-pumped and CO ₂ lasers, water cooling for lamp-pumped lasers; optionally external water-/air chiller

Dimensions, weights and color

Frame (H x D x W):	1445 x 753 x 1826 mm
Door opening (H x W):	550 x 460 mm
Work area (W x D):	500 x 375 mm
Weight:	approx. 410 kg
Color	RAL 7016, RAL 9002



Your Benefits

■ Compact

The laser workstations of the CombiLine Flexible series have been designed to integrate a wide selection of ROFIN laser beam sources. Supply units and operating panel are integrated in the machine housing, thus providing a small footprint for efficient use of manufacturing space.

■ User friendly

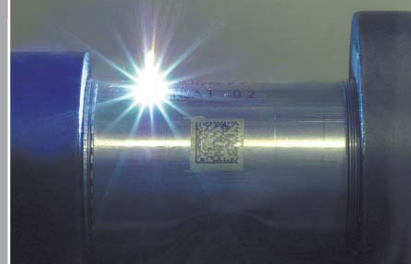
The CombiLine Flexible series is designed to meet highest ergonomical standards as a seated workplace. An easy-to-read display informs the operator quickly. Programming can be easily done with the integrated keyboard while a wide variety of options is available to meet customer-specific needs.

■ Economic

The CombiLine Flexible series offers excellent value. The operating costs are low, installation is easy due to the integrated air cooling (when using diode pumped lasers) and the one-phase power supply. World wide service is ensured by international branches and representatives of the ROFIN Group.



Marking of plastics



Data matrix identification



Marking of alphanumeric contents



Marking of small and medium batches

WE
THINK
LASER

ROFIN-SINAR Laser GmbH
Dieselstr. 15
85232 Bergkirchen/Günding
Tel: +49(0)8131-704-0
Fax: +49(0)8131-704-100
email: info@rofin-muc.de

Carl Baasel Lasertechnik GmbH & Co. KG
Petersbrunner Str. 1b
82319 Starnberg
Tel: +49(0)8151-776-0
Fax: +49(0)8151-776-159
email: info@baasel.de

ROFIN-SINAR Laser GmbH
Berzeliusstr. 83
22113 Hamburg
Tel: +49(0)40-733 63-0
Fax: +49(0)40-733 63-100
email: info@rofin-ham.de

MARKING

MICRO

MACRO

WARNING !

This is a Class I laser marking system with an embedded Class II and Class IV laser.
Class IV precautions must be adhered to when interfaces failed or deflected and laser is operating.

DANGER

**VISIBLE and/or INVISIBLE LASER RADIATION
WHEN OPEN AND INTERLOCK FAILED OR DEFLECTED
AVOID EYE OR SKIN EXPOSURE
TO DIRECT OR SCATTERED RADIATION**

AVOID EXPOSURE

VISIBLE and/or INVISIBLE LASER RADIATION EXISTING
FROM THIS APERTURE